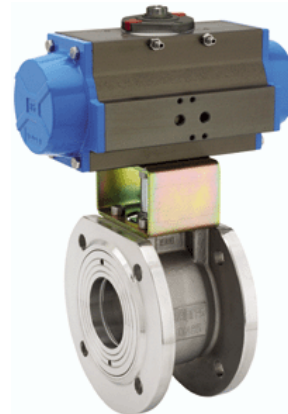


Flange ball valve pneumatic actuator
Type PKH-720008 and PKH-720078, DN15 till 200, PN40



type PKH-720008



type PKH-720078

specifications:

construction	VALPRES Type 720008 and 720078 Rack and pinion with 2 pistons moving in opposite directions, elastic sealing, actuator in all details according to ISO 5211 or to NAMUR recommendations. end position $\pm 5^\circ$ adjustable, incl. red position indicator
ambient temperature	-20°C till +80°C, configuration for higher temperatures with FKM (Viton) is possible
standard materials	Actuator aluminium hard-coat anodised, pinion steel nickel plated, seals NBR, piston guide PTFE with 15% graphite, mounting kit between valve and actuator of steel. materials ball valve 720008: body steel, ball stainless steel 1.4301; 720078: body and ball 1.4401; - both types ball seals of 15% glass filled PTFE-seals, stem seal PTFE resp. O-ring of FKM
function	available in double-acting or single-acting execution
installation	into rigid pipework
type of mounting	any
control medium	filtered and lubricated or not lubricated compressed air
working media	all fluids and gaseous media being not aggressive to used materials
medium temperature	-20°C till +160°C resp. see pressure-temperature-diagram
control pressure	5,5 - 8 bar, adaption on lower control pressure possible on demand
working pressure	from rough vacuum till 40 bar resp. see pressure-temperature-diagram
additional equipment	direct mounted electrical control valve
on request	direct mounted control valve, manually, pneumatically electrical position indication, P/P or I/P positioner pneumatic position indication for both positions adjustment for the operation time

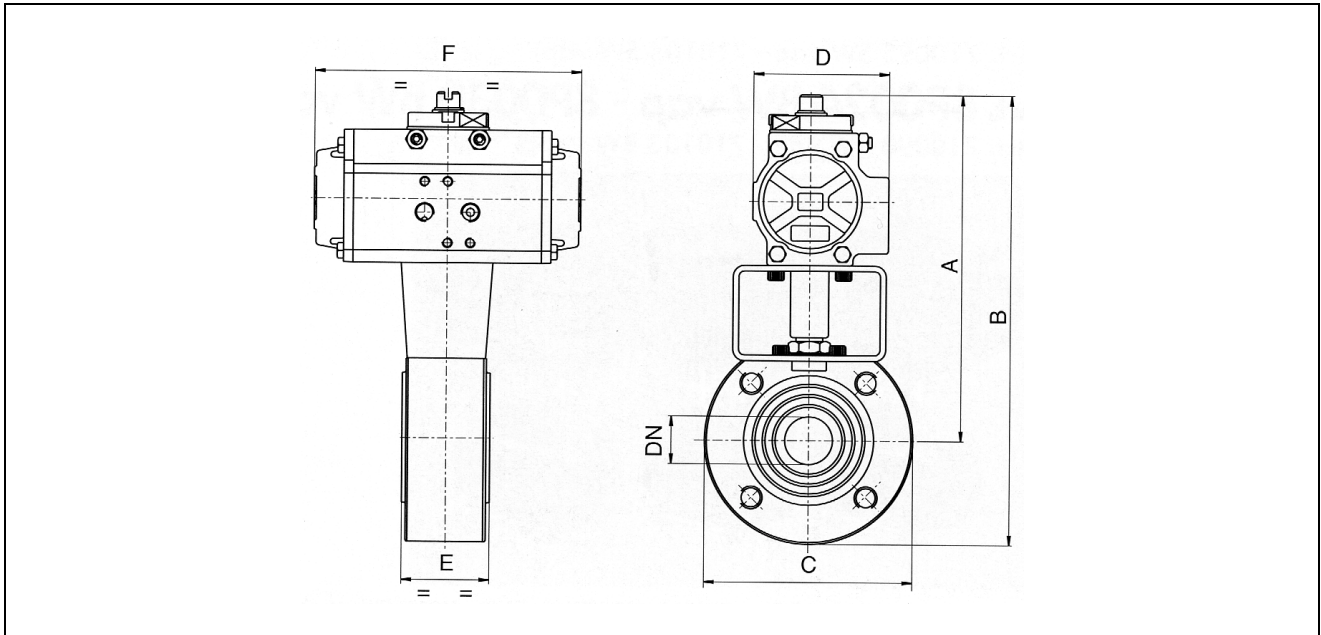
Order:

In case of order pleas indicate control pressure, type of medium, working pressure and working temperature.
Also indicate in words all needed additional equipment, f. e. electrical position indicator.

Notice:

Pressure and temperature values are maximum values for lubricating or not greasing mediums. In particular degreasing media reduces the indicated values and increases the necessary torque. In border lines we recommend previous consultation. When choosing the armatures you have to go out from the minimum control pressure of the construction.

Dimensions:



Type 720078 with double acting pneumatic actuator:

type	dimension DN [mm]	max.working-pressure [bar]	A [mm]	B [mm]	C [mm]	D [mm]	E [mm]	F [mm]	actuator	weight [kg]
PKH-720008-15-DN	15	40	171	216	90	71	35	140	DA52N	2,8
PKH-720008-20-DN	20	40	187	237	100	81	40	162	DA63N	3,9
PKH-720008-25-DN	25	40	192	247	110	81	46	162	DA63N	4,8
PKH-720008-32-DN	32	40	199	264	130	81	54	162	DA63N	6,3
PKH-720008-40-DN	40	40	228	303	150	81	63,5	207	DA75N	8,4
PKH-720008-50-DN	50	40	260	342	165	106	82	238	DA85N	12,6
PKH-720008-65-DN	65	40	308	403	185	123	103	272	DA100N	21,3
PKH-720008-80-DN	80	40	316	421	200	123	122	272	DA100N	26,3
PKH-720008-100-DN	100	40	365	492	220	137	152	328	DA115N	43,1
PKH-720008-125-DN	125	40	380	513	250	148	196	366	DA125N	63,7
PKH-720008-150-DN	150	40	385	573	285	187	232	522	DA160N	112,3

Type 720078 with single acting pneumatic actuator:

type	dimension DN [mm]	max.working-pressure [bar]	A [mm]	B [mm]	C [mm]	D [mm]	E [mm]	F [mm]	actuator	weight [kg]
PKH-720008-15-EN	15	40	186	234	90	81	35	162	SR63N	3,7
PKH-720008-20-EN	20	40	221	281	100	106	40	238	SR85N	6,7
PKH-720008-25-EN	25	40	227	287	110	106	46	238	SR85N	7,6
PKH-720008-32-EN	32	40	227	292	130	106	54	238	SR85N	9,1
PKH-720008-40-EN	40	40	259	334	150	123	63,5	272	SR100N	13,3
PKH-720008-50-EN	50	40	303	385	165	137	82	328	SR115N	20,9
PKH-720008-65-EN	65	40	350	445	185	148	103	366	SR125N	30
PKH-720008-80-EN	80	40	358	463	200	148	122	366	SR125N	35
PKH-720008-100-EN	100	40	398	508	220	187	152	522	SR160N	59,3
PKH-720008-125-EN	125	40	413	538	250	187	196	522	SR160N	77,6
PKH-720008-150-EN	150	40	584	726	285	290	232	672	SR270N	181

Single acting valves were delivered in NC-execution (spring closes), if not specially specified in your order!

illustrations not binding
 constructions, measures and materials reserve to change

Type 720078 with double acting pneumatic actuator:

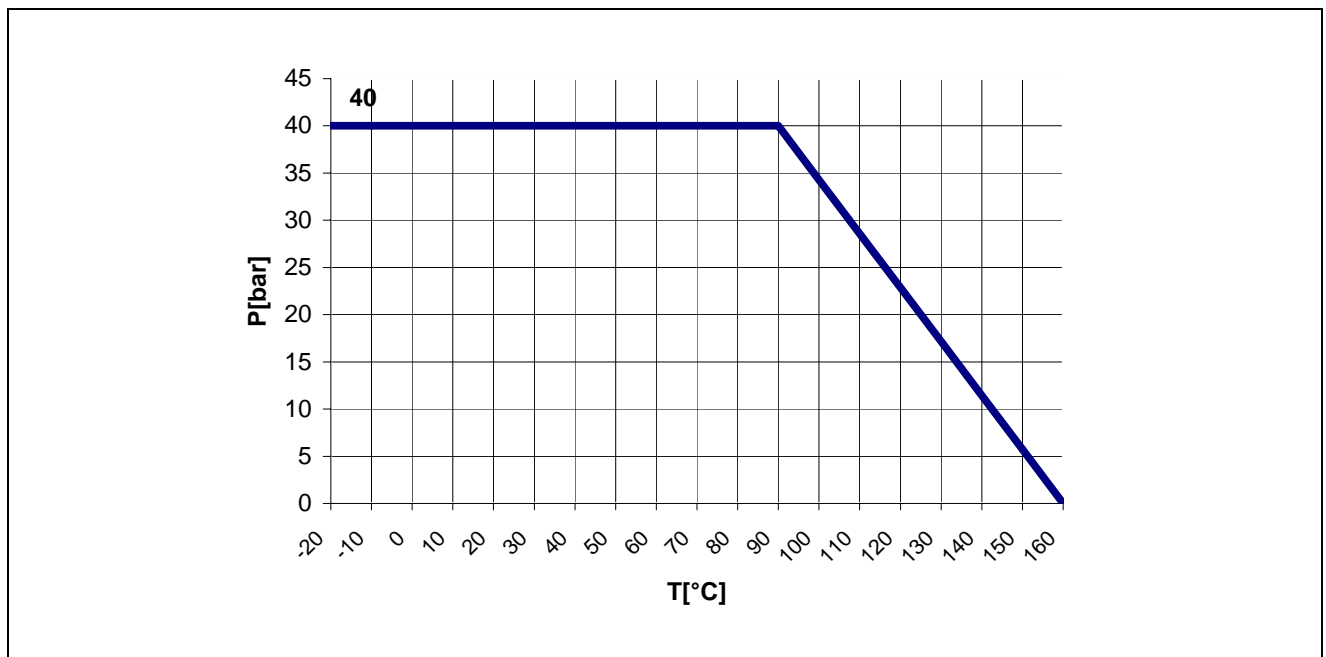
type	dimension DN [mm]	max.working-pressure [bar]	A [mm]	B [mm]	C [mm]	D [mm]	E [mm]	F [mm]	actuator	weight [kg]
PKH-720078-15-DN	15	40	171	216	90	71	35	140	DA52N	2,8
PKH-720078-20-DN	20	40	187	237	100	81	40	162	DA63N	3,9
PKH-720078-25-DN	25	40	192	247	110	81	46	162	DA63N	4,8
PKH-720078-32-DN	32	40	199	264	130	81	54	162	DA63N	6,3
PKH-720078-40-DN	40	40	228	303	150	81	63,5	207	DA75N	6,8
PKH-720078-50-DN	50	40	260	342	165	106	82	238	DA85N	10,1
PKH-720078-65-DN	65	40	308	403	185	123	103	272	DA100N	15,7
PKH-720078-80-DN	80	40	316	421	200	123	122	272	DA100N	19,2
PKH-720078-100-DN	100	40	365	492	220	137	152	328	DA115N	29,8
PKH-720078-150-DN	150	40	385	573	285	187	232	522	DA160N	81,6
PKH-720078-200-DN	200	40	509	679	340	218	317	575	DA200N	135,7

Type 720078 with single acting pneumatic actuator:

type	dimension DN [mm]	max.working-pressure [bar]	A [mm]	B [mm]	C [mm]	D [mm]	E [mm]	F [mm]	actuator	weight [kg]
PKH-720078-15-EN	15	40	186	234	90	81	35	162	SR63N	3,7
PKH-720078-20-EN	20	40	221	281	100	106	40	238	SR85N	6,7
PKH-720078-25-EN	25	40	227	287	110	106	46	238	SR85N	7,6
PKH-720078-32-EN	32	40	227	292	130	106	54	238	SR85N	9,1
PKH-720078-40-EN	40	40	259	334	150	123	63,5	272	SR100N	11,7
PKH-720078-50-EN	50	40	303	385	165	137	82	328	SR115N	18,3
PKH-720078-65-EN	65	40	350	445	185	148	103	366	SR125N	24,4
PKH-720078-80-EN	80	40	358	463	200	148	122	366	SR125N	28,1
PKH-720078-100-EN	100	40	398	508	220	187	152	522	SR160N	46,1
PKH-720078-150-EN	150	40	584	726	285	290	232	672	SR270N	150,5
PKH-720078-200-EN	200	40	611	781	340	290	317	672	SR270N	191

Single acting valves were delivered in NC-execution (spring closes), if not specially specified in your order!

Pressure-Temperature-Diagram:



illustrations not binding
 constructions, measures and materials reserve to change